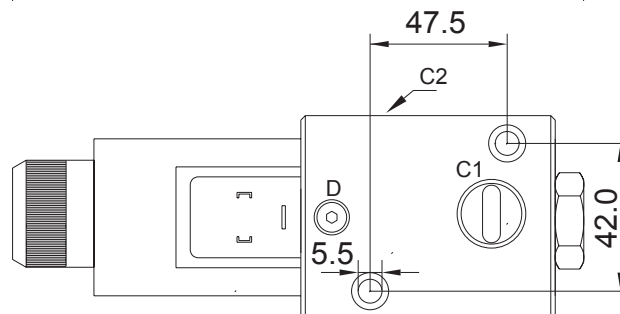
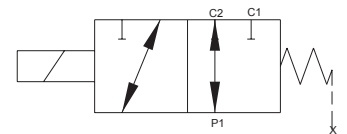
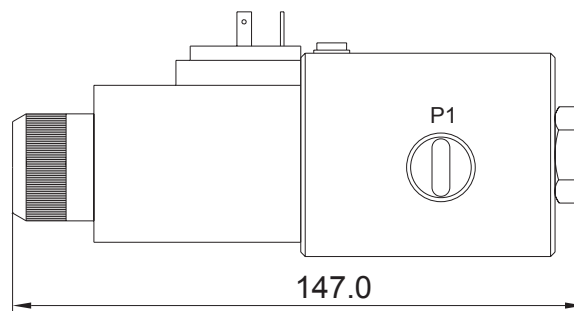
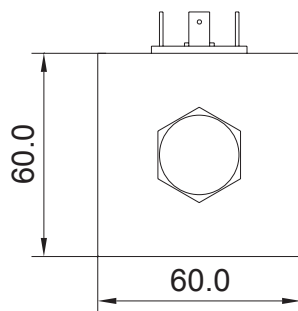


Solenoid controlled 3/2 directional control valve R3/8", M18x1.5



VOLTAGE	
12 VDC	
24 VDC	

Model	Threaded coupling	Flow l/min	Max. pres. bar.
E3238	R 3/8"	50	210
E32M18	M18x1.5	50	210