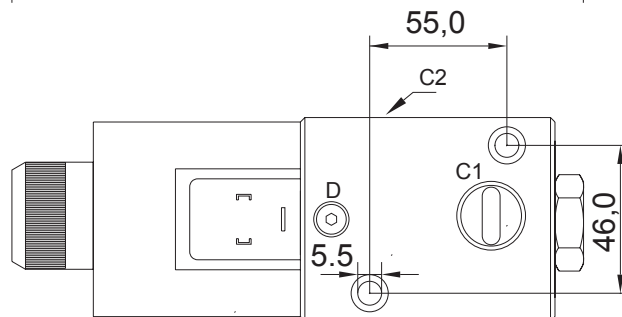
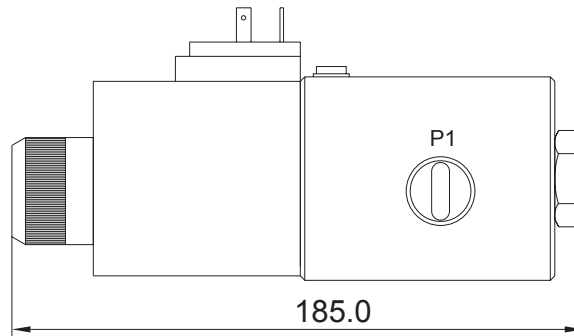
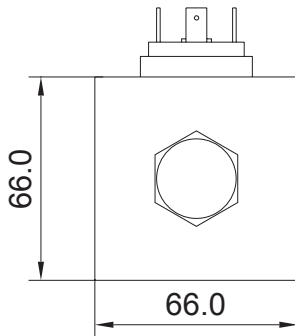
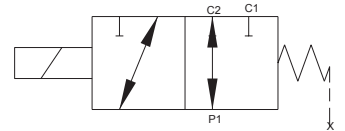


# Solenoid controlled 3/2 directional control valve R1/2", R3/4", M22x1.5, M27x2.0



VOLTAGE
12 VDC
24 VDC

Model	Threaded coupling	Flow l/min	Max. pres. bar.
E3212	R 1/2"	80	210
E3234	R 3/4"	95	210
E32M22	M22x1.5	80	210
E32M27	M27x2.0	95	210